

PARTS LIST

[RD-T7GN]
[RD-T5BU]

* All printed circuit boards and its assemblies are not available as service parts.

Area suffix

RD-T7GN

US ----- Singapore

UJ ----- U.S.Military

Area suffix

RD-T5BU

US ----- Singapore

UT ----- Taiwan

UY ----- Argentina

- Contents -

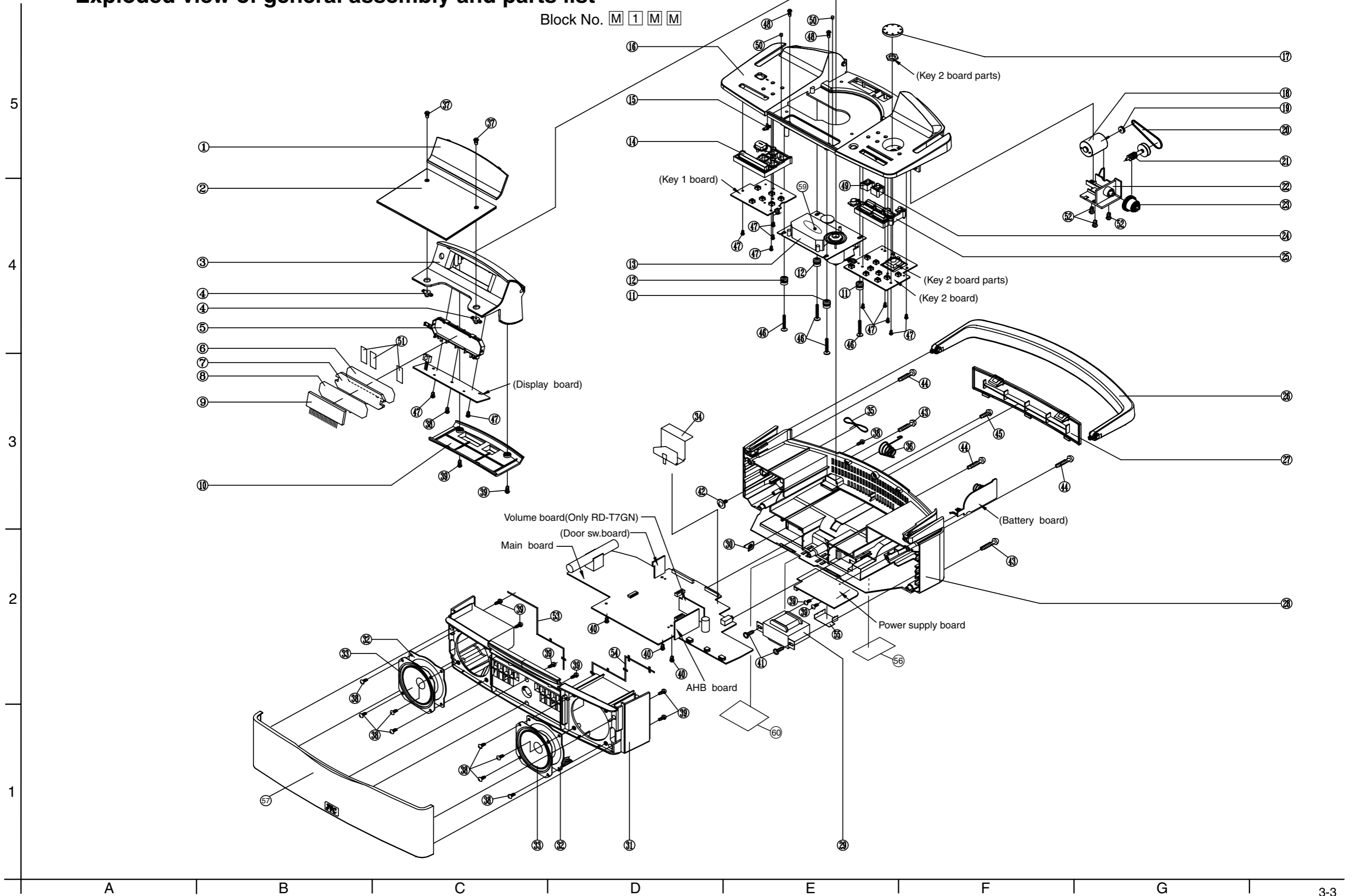
Exploded view of general assembly and parts list (Block No.M1)	3- 3
Electrical parts list (Block No.01~04)	3- 5
Packing materials and accessories parts list (Block No.M3,M5)	3-11

< M E M O >

Exploded view of general assembly and parts list

Block No.

M	1	M	M
---	---	---	---



■ Parts list (General assembly)

Block No. M1MM

△	Item	Parts number	Parts name	Q'ty	Description	Area
	1	GJ4C05808001C0	LENS LCD	1		
	2	GJ4C05809001C0	LENS CD DOOR	1	RD-T5BU	
		GJ4C05809003C0	LENS CD DOOR	1	RD-T7GN	
	3	GJ4A05807001B0	DOOR CD	1		
	4	GJ4A05821001A0	MOUTING POST	2		
	5	GJ4B05822001A0	LCD HOLDER	1		
	6	GJ745000070000	LCD DIFFISION(2	1		
	7	GJ4C05823001A0	REFLECTION LENS	1		
	8	GJ745000060000	LCD DIFFISION(1	1		
	9	GJ373010390510	LCD DISPLAY	1		
	10	GJ4B05810001A0	COVER CD DOOR	1		
	11	GJ391009531	RUBBER VIVRATIO	2		
	12	GJ391009521	RUBBER VIVRATIO	2		
	13	GJ384000030000	CD MECHA	1		
	14	GJ4A05812001E0	FUNCTION KNOB(L	1	RD-T7GN	
		GJ4A05812002E0	FUNCTION KNOB(L	1	RD-T5BU	
	15	GJ4C05811001A0	LED LENS	1		
	16	GJ4B05806001E0	CABINET TOP	1	RD-T5BU	
		GJ4B05806101E0	CABINET TOP	1	RD-T7GN	
	17	GJ4A05817001B0	JOG KNOB	1		
	18	GJ381020290003	MOTOR	1		
	19	GJ460400320101	PULLEY	1		
	20	GJ560430010101	LOADING BELT	1		
	21	GJ4D05819001A0	WORM GEAR	1		
	22	GJ4B05820001A0	HOLDER GEAR	1		
	23	GJ4D05818001A0	REDUCE GEAR	1		
	24	GJ4A05814001B0	RANDOM KMOB	1		
	25	GJ4A05813001E0	FUNCTION KNOB(1		
	26	GJ4A05805001B0	HANDLE	1		
	27	GJ4B05804001B0	DOOR BATTERY	1		
	28	GJ4B05803101B0	REAR CABINET	1		
△	29	GJ336480270007	TRANSFORMER	1	T901	
	30	GJ711001940100	BATTERY SPRING	1		
	31	GJ4B05801001F0	FRONT CABINET	2		
	32	GJ761000330100	CUSHION	2		
	33	GJ370040070017	SPEAKER	2		
	34	GJ780000420100	HEAT SINK	1		
	35	GJ351001072231	FM PG TAIL	1		
	36	GJ2020Q350400	BATTERY SPRING	1		
	37	GJ700423400850	SCREW	2		
	38	GJ702244300810	SCREW	10		
	39	GJ702244301010	SCREW	10		
	40	GJ700223261210	SCREW	3		
	41	GJ702264301410	SCREW	2		
	42	GJ703308000200	SCREW	1		
	43	GJ702244304510	SCREW	2		
	44	GJ702224302510	SCREW	3		
	45	GJ700223301210	SCREW	1		

■ Parts list (General assembly)

Block No. M1MM

△	Item	Parts number	Parts name	Q'ty	Description	Area
	46	GJ700263261610	SCREW	4		
	47	GJ700231260810	SCREW	11		
	48	GJ702224301250	SCREW	2		
	49	GJ4A05815001B0	A.H.B.KNOB	1	RD-T7GN	
	50	GJ782000160100	FOOT RUBBER	2		
	51	GJ2459847000	HIMELON	3		
	52	GJ702254301050	SCREW	3		
	53	GJ763000630100	FELT SHEET	1		
	54	GJ763000640100	FELT SHEET	1		
	55	GJ790000650101	PVC SHEET	1		
	56	GJ560580130301	NAME PLATE	1	RD-T5BU	UT
		GJ560580130201	NAME PLATE	1	RD-T5BU	US,UJ
		GJ560580100201	NAME PLATE	1	RD-T7GN	US,UJ
	57	GJA2024010001C	SPEAKER NET	1	RD-T7GN	
		GJA2024013001C	SPEAKER NET	1	RD-T5BU	
	59	OPTIMA-7B	PICK UP	1		
	60	GJ772008170101	LABEL	1	RD-T5BU	UT

■ Electrical parts list (Main board)

Block No. 01

▲	Item	Parts number	Parts name	Remarks	Area	▲	Item	Parts number	Parts name	Remarks	Area
C 1		GJ264141022199	C.CAPACITOR	50V B K 1000PF		C 324		GJ270111073999	E.CAPACITOR	10V SR M 100MF	
C 2		GJ210131502499	CHIP CAPACITOR	1608 50V CH J 1		C 325		GJ270111073999	E.CAPACITOR	10V SR M 100MF	
C 3		GJ210131012499	CHIP CAPACITOR	1608 50V CH J 1		C 327		GJ270191060399	E.CAPACITOR	50V VX M 10MF	
C 4		GJ210135612499	CHIP CAPACITOR	1608 50V CH J 5		C 329		GJ270191050399	E CAPACITOR	50V VX M 1MF	
C 5		GJ264182232199	C.CAPACITOR	25V F Z 0.022UF		C 330		GJ270191050399	E CAPACITOR	50V VX M 1MF	
C 6		GJ214204732499	CHIP CAPACITOR	1608 16V B K 0.		C 340		GJ270124760399	E.CAPACITOR	16V VX M 47UF	
C 7		GJ214122232499	CHIP CAPACITOR	1608 50V F Z 0.		▲ C 356		GJ270122281099	E.CAPACITOR	16V SMG M 2200M	
C 8		GJ214122232499	CHIP CAPACITOR	1608 50V F Z 0.		C 357		GJ283001042415	POLY CAPACITOR	50V AMZ J 0.1MF	
C 32		GJ210131202499	CHIP CAPACITOR	1608 50V CH J 1		C 358		GJ283001042415	POLY CAPACITOR	50V AMZ J 0.1MF	
C 35		GJ210131202499	CHIP CAPACITOR	1608 50V CH J 1		C 359		GJ214011022499	CHIP CAPACITOR	1608 50V B K 10	
C 40		GJ270111070399	E.CAPACITOR	10V VX M 100MF		C 360		GJ214011022499	CHIP CAPACITOR	1608 50V B K 10	
C 41		GJ210131012499	CHIP CAPACITOR	1608 50V CH J 1		C 456		GJ270191060399	E.CAPACITOR	50V VX M 10MF	
C 45		GJ282031052499	M.CAPACITOR	50V MMT J 1UF		C 458		GJ270191060399	E.CAPACITOR	50V VX M 10MF	
C 46		GJ214013922499	CHIP CAPACITOR	1608 50V B K 39		C 702		GJ210131012499	CHIP CAPACITOR	1608 50V CH J 1	
C 47		GJ214001032499	CHIP CAPACITOR	1608 25V B K 10		C 703		GJ214122232499	CHIP CAPACITOR	1608 50V F Z 0.	
C 48		GJ214008222499	CHIP CAPACITOR	1608 25V B K 82		C 704		GJ214012222499	CHIP CAPACITOR	1608 50V B K 22	
C 49		GJ214008222499	CHIP CAPACITOR	1608 25V B K 82		C 705		GJ214122232499	CHIP CAPACITOR	1608 50V F Z 0.	
C 65		GJ214008222499	CHIP CAPACITOR	1608 25V B K 82		C 706		GJ214122232499	CHIP CAPACITOR	1608 50V F Z 0.	
C 66		GJ214008222499	CHIP CAPACITOR	1608 25V B K 82		C 707		GJ210131002499	CHIP CAPACITOR	1608 50V CH J 1	
C 67		GJ214008222499	CHIP CAPACITOR	1608 25V B K 82		C 708		GJ214122232499	CHIP CAPACITOR	1608 50V F Z 0.	
C 68		GJ214008222499	CHIP CAPACITOR	1608 25V B K 82		C 709		GJ214122232499	CHIP CAPACITOR	1608 50V F Z 0.	
C 69		GJ214008222499	CHIP CAPACITOR	1608 25V B K 82		C 710		GJ214008212499	CHIP CAPACITOR	1608 25V B K 82	
C 70		GJ214008222499	CHIP CAPACITOR	1608 25V B K 82		C 711		GJ270191060399	E.CAPACITOR	50V VX M 10MF	
C 72		GJ214011022499	CHIP CAPACITOR	1608 50V B K 10		C 712		GJ214011022499	CHIP CAPACITOR	1608 50V B K 10	
C 73		GJ264141022199	C.CAPACITOR	50V B K 1000PF		C 714		GJ214122232499	CHIP CAPACITOR	1608 50V F Z 0.	
C 74		GJ214011022499	CHIP CAPACITOR	1608 50V B K 10		C 715		GJ264191042199	C.CAPACITOR	50V F Z 0.1UF	
C 76		GJ214011022499	CHIP CAPACITOR	1608 50V B K 10		C 717		GJ264262222199	C.CAPACITOR	16V X M 2200PF	
C 80		GJ270124760399	E.CAPACITOR	16V VX M 47UF		C 719		GJ270111070399	E.CAPACITOR	10V VX M 100MF	
C 94		GJ270111070399	E.CAPACITOR	10V VX M 100MF		C 721		GJ283004722415	POLY CAPACITOR	50V AMZ J 0.004	
C 96		GJ270111070399	E.CAPACITOR	10V VX M 100MF		C 722		GJ283001522415	POLY CAPACITOR	50V AMZ J 0.001	
C 99		GJ270191060399	E.CAPACITOR	50V VX M 10MF		C 723		GJ283004732415	CAP, POLY FILM	50V AMZ J 0.047	
C 102		GJ270194741599	E.CAPACITOR	50V SA M 0.47UF		C 724		GJ283003932415	POLY CAPACITOR	50V AMZ J 0.039	
C 103		GJ270192260399	E CAPACITOR	50V VX M 22MF		C 725		GJ283004732415	CAP, POLY FILM	50V AMZ J 0.047	
C 105		GJ210130302499	CHIP CAPACITOR	1608 50V CH J 3		C 726		GJ270124760399	E.CAPACITOR	16V VX M 47UF	
C 106		GJ214012722499	CHIP CAPACITOR	1608 50V B K 27		C 727		GJ270112270999	E.CAPACITOR	SMG M 220MF	
C 107		GJ270192250399	E.CAPACITOR	50V VX M 2.2UF		C 728		GJ264144712199	C.CAPACITOR	50V B K 470PF	
C 108		GJ270192250399	E.CAPACITOR	50V VX M 2.2UF		C 729		GJ282031542499	M.CAPACITOR	50V MMT J 0.15U	
C 110		GJ264144712199	C.CAPACITOR	50V B K 470PF		C 730		GJ282033342499	M.CAPACITOR	50V MMT J 0.33U	
C 113		GJ214122232499	CHIP CAPACITOR	1608 50V F Z 0.		C 731		GJ283002232415	POLY CAPACITOR	50V AMZ J 0.022	
C 114		GJ214122232499	CHIP CAPACITOR	1608 50V F Z 0.		C 732		GJ214201042499	CHIP CAPACITOR	1608 16V B K 0.	
C 115		GJ214011022499	CHIP CAPACITOR	1608 50V B K 10		C 733		GJ214201042499	CHIP CAPACITOR	1608 16V B K 0.	
C 116		GJ214011022499	CHIP CAPACITOR	1608 50V B K 10		C 733		GJ264191042199	C.CAPACITOR	50V F Z 0.1UF	
C 117		GJ210131012499	CHIP CAPACITOR	1608 50V CH J 1		C 734		GJ214201042499	CHIP CAPACITOR	1608 16V B K 0.	
C 118		GJ210131012499	CHIP CAPACITOR	1608 50V CH J 1		C 736		GJ264191042199	C.CAPACITOR	50V F Z 0.1UF	
C 119		GJ210131012499	CHIP CAPACITOR	1608 50V CH J 1		C 737		GJ210131202499	CHIP CAPACITOR	1608 50V CH J 1	
C 121		GJ270194751599	E.CAPACITOR	50V SA M 4.7UF		C 738		GJ210131202499	CHIP CAPACITOR	1608 50V CH J 1	
C 122		GJ210131002499	CHIP CAPACITOR	1608 50V CH J 1		C 740		GJ270112270999	E.CAPACITOR	SMG M 220MF	
C 123		GJ285214312415	POLY CAPACITOR	100V ECQP J 430		C 741		GJ270112270999	E.CAPACITOR	SMG M 220MF	
C 126		GJ270192240399	E.CAPACITOR	50V VX M 0.22MF		C 742		GJ270112270999	E.CAPACITOR	SMG M 220MF	
C 127		GJ270193350399	E.CAPACITOR	50V VX M 3.3MF		C 743		GJ264033302199	C.CAPACITOR	50V SL J 33PF	
C 305		GJ270122261599	E.CAPACITOR	16V SA M 22UF		C 744		GJ282031042499	M.CAPACITOR	50V MMT J 0.1UF	
C 310		GJ270194751599	E.CAPACITOR	50V SA M 4.7UF		C 745		GJ264182232199	C.CAPACITOR	25V F Z 0.022UF	
C 311		GJ270111080899	E.CAPACITOR	10V SMG M 1000U		C 746		GJ214011022499	CHIP CAPACITOR	1608 50V B K 10	
C 312		GJ270111080899	E.CAPACITOR	10V SMG M 1000U		C 747		GJ214011022499	CHIP CAPACITOR	1608 50V B K 10	
C 313		GJ264271032199	C.CAPACITOR	16V Y M 0.01UF		C 748		GJ264262222199	C.CAPACITOR	16V X M 2200PF	
C 315		GJ264141022199	C.CAPACITOR	50V B K 1000PF		C 749		GJ282033342499	M.CAPACITOR	50V MMT J 0.33U	
C 316		GJ264141022199	C.CAPACITOR	50V B K 1000PF		C 752		GJ270114770999	E.CAPACITOR	10V SMG M 470MF	
C 317		GJ270141061599	E.CAPACITOR	25V SA M 10UF		C 753		GJ210131012499	CHIP CAPACITOR	1608 50V CH J 1	
C 318		GJ264271032199	C.CAPACITOR	16V Y M 0.01UF		C 754		GJ210131012499	CHIP CAPACITOR	1608 50V CH J 1	
C 319		GJ270141061599	E.CAPACITOR	25V SA M 10UF		C 755		GJ210131012499	CHIP CAPACITOR	1608 50V CH J 1	
C 321		GJ270114770999	E.CAPACITOR	10V SMG M 470MF		C 756		GJ210131012499	CHIP CAPACITOR	1608 50V CH J 1	
C 322		GJ270124760399	E.CAPACITOR	16V VX M 47UF		C 757		GJ270111070399	E.CAPACITOR	10V VX M 100MF	
C 323		GJ270124760399	E.CAPACITOR	16V VX M 47UF		C 761		GJ214003312499	CHIP CAPACITOR	1608 25V B K 33	

■ Electrical parts list (Main board)

Block No. 01

△	Item	Parts number	Parts name	Remarks	Area	△	Item	Parts number	Parts name	Remarks	Area
	C 764	GJ214008222499	CHIP CAPACITOR	1608 25V B K 82			D 803	GJ310010220205	DIODE	1SS133T-77	
	C 765	GJ270191050399	E CAPACITOR	50V VX M 1MF			D 804	GJ310010220205	DIODE	1SS133T-77	
	C 766	GJ270191050399	E CAPACITOR	50V VX M 1MF			D 805	GJ310010220205	DIODE	1SS133T-77	
	C 801	GJ214008222499	CHIP CAPACITOR	1608 25V B K 82			D 806	GJ310010220205	DIODE	1SS133T-77	
	C 802	GJ214008222499	CHIP CAPACITOR	1608 25V B K 82			D 807	GJ310010220205	DIODE	1SS133T-77	
	C 803	GJ214008222499	CHIP CAPACITOR	1608 25V B K 82			D 808	GJ310020020104	DIODE	1N4001	
	C 804	GJ214008222499	CHIP CAPACITOR	1608 25V B K 82			D 809	GJ310010220205	DIODE	1SS133T-77	
	C 805	GJ264033302199	C.CAPACITOR	50V SL J 33PF			D 811	GJ310010220205	DIODE	1SS133T-77	
	C 806	GJ264033302199	C.CAPACITOR	50V SL J 33PF			D 812	GJ310010220205	DIODE	1SS133T-77	
	C 807	GJ210133302499	CHIP CAPACITOR	1608 50V CH J 3			D 813	GJ310010220205	DIODE	1SS133T-77	
	C 808	GJ210133302499	CHIP CAPACITOR	1608 50V CH J 3			FB701	GJ371010080003	FERRITE	R0655-BB39-8338	
	C 809	GJ210132702499	CHIP CAPACITOR	1608 50V CH J 2			FMANT	GJ737000010001	PIN CONNECTOR	RT-01T-1.3B	
	C 810	GJ210132702499	CHIP CAPACITOR	1608 50V CH J 2			HP301	GJ342010200113	H/P JACK	D=3.5MM MSJ-200	
	C 811	GJ214008222499	CHIP CAPACITOR	1608 25V B K 82			IC 4	GJ313070221000	IC	LC72136 PLL IC	
	C 812	GJ214008222499	CHIP CAPACITOR	1608 25V B K 82			IC 5	GJ313011361106	IC	LA1823	
	C 813	GJ214008222499	CHIP CAPACITOR	1608 25V B K 82			△ IC302	GJ313080031101	IC	TA8227P	
	C 814	GJ270191050399	E CAPACITOR	50V VX M 1MF			IC701	GJ313060841223	IC	N662748RPMFA	
	C 815	GJ270111070399	E.CAPACITOR	10V VX M 100MF			IC702	GJ313020851323	IC	AN22000A	
	C 816	GJ214008222499	CHIP CAPACITOR	1608 25V B K 82			IC703	GJ313060281206	IC	BA6897FP	
	C 817	GJ214008222499	CHIP CAPACITOR	1608 25V B K 82			IC801	GJ313020851223	IC	MN101C38CYD	
	C 818	GJ214008222499	CHIP CAPACITOR	1608 25V B K 82			IC802	GJ313070941702	IC	UPC78L05J	
	C 819	GJ270124760399	E.CAPACITOR	16V VX M 47UF			IC803	GJ313041011406	IC	RD-T7GN	
	C 820	GJ214008222499	CHIP CAPACITOR	1608 25V B K 82			JW 3	GJ200950002499	CHIP RESISTOR	1608 1/16W J 0	
	C 821	GJ270112270999	E.CAPACITOR	SMG M 220MF			JW 44	GJ200950002499	CHIP RESISTOR	1608 1/16W J 0	
	C 822	GJ270124760399	E.CAPACITOR	16V VX M 47UF			JW 84	GJ200950002499	CHIP RESISTOR	1608 1/16W J 0	
	C 823	GJ264271032199	C.CAPACITOR	16V Y M 0.01UF			JW324	GJ200950002499	CHIP RESISTOR	1608 1/16W J 0	
	C 824	GJ264271032199	C.CAPACITOR	16V Y M 0.01UF			JW341	GJ200950002499	CHIP RESISTOR	1608 1/16W J 0	
	C 825	GJ270191060399	E.CAPACITOR	50V VX M 10MF			JW732	GJ200950002499	CHIP RESISTOR	1608 1/16W J 0	
	C 827	GJ270192260399	E CAPACITOR	RD-T7GN			JW739	GJ200950002499	CHIP RESISTOR	1608 1/16W J 0	
	CF 4	GJ360000590008	CER FILTER	10.7MHZ SK107M2			JW740	GJ200950002499	CHIP RESISTOR	1608 1/16W J 0	
	CF 5	GJ360000590008	CER FILTER	10.7MHZ SK107M2			JW744	GJ200950002499	CHIP RESISTOR	1608 1/16W J 0	
	CF 6	GJ360040020008	FILTER	DISCRIMINATOR			JW746	GJ200950002499	CHIP RESISTOR	1608 1/16W J 0	
	CN301	GJ345201040101	CONNECTOR	4PIN P=2MM			JW837	GJ200950002499	CHIP RESISTOR	1608 1/16W J 0	
	CN302	GJ345251030101	CONNECTOR	3PIN P=2.5MM			JW838	GJ200950002499	CHIP RESISTOR	1608 1/16W J 0	
△	CN303	GJ345251040101	CONNECTOR	4PIN 1/2			JW842	GJ200950002499	CHIP RESISTOR	1608 1/16W J 0	
△	CN303	GJ354304670205	CONNECTOR	4PIN 2/2			L 1	GJ241112212102	INDUCTOR	220UH K CNSS-22	
	CN701	GJ340121150102	CONNECTOR	FFC/FPC 15PIN P			L 3	GJ241111012102	INDUCTOR	10UH K CNSS-10	
	CN708	GJ345202020101	CONNECTOR	2PIN P=2MM			L 15	GJ241111012102	INDUCTOR	10UH K CNSS-10	
	CN801	GJ340022130102	CONNECTOR	FFC/FPC 13PIN			L 16	GJ321000120104	IFT	AM OSC 7.5MM RE	
	CN801	GJ340021130102	CONN.TERMINAL	FFC 13P			L 17	GJ783100600804	BAR ANTENNA	10X60MM W/AM CO	
	CN802	GJ340021240102	CONN.TERMINAL	RD-T5BU 1/2			L 301	GJ241111012102	INDUCTOR	10UH K CNSS-10	
	CN802	GJ340022240102	CONN.TERMINAL	RD-T5BU 2/2			L 302	GJ241111012102	INDUCTOR	10UH K CNSS-10	
	CN802	GJ340022280102	CONN.TERMINAL	RD-T7GN 2/2			L 303	GJ241112292102	INDUCTOR	2.2UH K CNSS-2	
	CN802	GJ340021280102	CONNECTOR	RD-T7GN 1/2			L 701	GJ241111002102	INDUCTOR	10UH K CNSS-10	
	CN804	GJ345201070101	WAFER	7PIN P=2MM			L 702	GJ241111002102	INDUCTOR	10UH K CNSS-10	
	CT 1	GJ288000080002	TRIMMER CAPA.	20PF			LCD81	GJ373010390510	LCD DISPLAY	DISPLAY	
	D 1	GJ310010220205	DIODE	1SS133T-77			LED81	GJ374303021111	LED	RD-T7GN GREEN	
	D 5	GJ310010220205	DIODE	1SS133T-77			LED83	GJ871998985	LED	SLR-342VR3FM.N	
	D 6	GJ310010220205	DIODE	1SS133T-77			Q 7	GJ312010162201	TRANSISTOR	2SC1923-0	
	D 10	GJ310010220205	DIODE	1SS133T-77			Q 13	GJ312011191210	TRANSISTOR	KRA107M-AT	
	D 13	GJ310050250103	VARIABLE DIODE	VCR-KV1555NT			Q 15	GJ312030152210	TRANSISTOR	KTC3195Y	
	D 13	GJ310050040103	VARIABLE DIODE	KV1555NT			Q 303	GJ312010941203	TRANSISTOR	2SD1781KQ	
	D 303	GJ310010220205	DIODE	1SS133T-77			Q 304	GJ312010941203	TRANSISTOR	2SD1781KQ	
	D 306	GJ310010220205	DIODE	1SS133T-77			△ Q 305	GJ312011251210	TRANSISTOR	KTA1273Y	
	D 307	GJ310010220205	DIODE	1SS133T-77			△ Q 307	GJ312011231210	TRANSISTOR	KTA1267Y	
	D 308	GJ310010220205	DIODE	1SS133T-77			△ Q 308	GJ312011251210	TRANSISTOR	KTA1273Y	
	D 310	GJ310020020104	DIODE	1N4001			Q 309	GJ312020035201	TRANSISTOR	2SC2458TP-YGR	
	D 701	GJ310010220205	DIODE	1SS133T-77			Q 310	GJ312020035201	TRANSISTOR	2SC2458TP-YGR	
	D 702	GJ310010220205	DIODE	1SS133T-77			Q 311	GJ312011261210	TRANSISTOR	KRC102M-AT	
	D 704	GJ686062350000	B. WIRE				Q 313	GJ312011261210	TRANSISTOR	KRC102M-AT	
	D 705	GJ310010220205	DIODE	1SS133T-77			Q 701	GJ312011231210	TRANSISTOR	KTA1267Y	
	D 801	GJ310010220205	DIODE	1SS133T-77			Q 703	GJ312090104202	TRANSISTOR	2SA-952TP-K1K2	
	D 802	GJ310010220205	DIODE	1SS133T-77			Q 801	GJ312020035201	TRANSISTOR	2SC2458TP-YGR	

■ Electrical parts list (Main board)

Block No. 01

△	Item	Parts number	Parts name	Remarks	Area	△	Item	Parts number	Parts name	Remarks	Area
	Q 802	GJ312020035201	TRANSISTOR	2SC2458TP-YGR			R 329	GJ250032202199	CARBON RESISTOR	RD-T7GN	
	Q 803	GJ312011211210	TRANSISTOR	KRC107M			R 333	GJ250031022199	CARBON RESISTOR	1/4WM J 1K	
	Q 804	GJ312010862210	TRANSISTOR	KTA1266-Y-AT			R 336	GJ200951012499	CHIP RESISTOR	1608 1/16W J 10	
	Q 805	GJ312011211210	TRANSISTOR	KRC107M			R 337	GJ250031022199	CARBON RESISTOR	1/4WM J 1K	
	Q 806	GJ312020161203	TRANSISTOR	2SC2410S-TPN			R 338	GJ250031022199	CARBON RESISTOR	1/4WM J 1K	
	Q 807	GJ312020161203	TRANSISTOR	2SC2410S-TPN			R 339	GJ250034722199	CARBON RESISTOR	1/4WM J 4.7K	
	R 1	GJ200951532499	CHIP RESISTOR	1608 1/16W J 15			R 341	GJ20095332499	CHIP RESISTOR	1608 1/16W J 3.	
	R 2	GJ250033902199	CARBON RESISTOR	1/4WM J 39			R 342	GJ250035632199	CARBON RESISTOR	1/4WM J 56K	
	R 3	GJ250038202199	CHIP RESISTOR	1/4WM J 82			R 451	GJ200954732499	CHIP RESISTOR	1608 1/16W J 47	
	R 4	GJ250032202199	CARBON RESISTOR	1/4WM J 22			R 452	GJ200954732499	CHIP RESISTOR	1608 1/16W J 47	
	R 5	GJ200951042499	CHIP RESISTOR	1608 1/16W J 10			R 465	GJ20095222499	CHIP RESISTOR	1608 1/16W J 2.	
	R 27	GJ200951022499	CHIP RESISTOR	1608 1/16W J 1K			R 701	GJ200952742499	CHIP RESISTOR	1608 1/16W J 27	
	R 28	GJ200951022499	CHIP RESISTOR	1608 1/16W J 1K			R 702	GJ200952242499	CHIP RESISTOR	1608 1/16W J 22	
	R 29	GJ250031022199	CARBON RESISTOR	1/4WM J 1K			R 703	GJ200951042499	CHIP RESISTOR	1608 1/16W J 10	
	R 30	GJ200951022499	CHIP RESISTOR	1608 1/16W J 1K			R 704	GJ250033932199	CARBON RESISTOR	1/4WM J 39K	
	R 31	GJ200951022499	CHIP RESISTOR	1608 1/16W J 1K			R 705	GJ200954742499	CHIP RESISTOR	1608 1/16W J 47	
	R 32	GJ200951022499	CHIP RESISTOR	1608 1/16W J 1K			R 706	GJ200950002499	CHIP RESISTOR	1608 1/16W J 0	
	R 33	GJ200951022499	CHIP RESISTOR	1608 1/16W J 1K			R 707	GJ200952232499	CHIP RESISTOR	1608 1/16W J 22	
	R 34	GJ200951022499	CHIP RESISTOR	1608 1/16W J 1K			R 708	GJ200952232499	CHIP RESISTOR	1608 1/16W J 22	
	R 35	GJ200951022499	CHIP RESISTOR	1608 1/16W J 1K			R 709	GJ200951002499	CHIP RESISTOR	1608 1/16W J 10	
	R 38	GJ200954732499	CHIP RESISTOR	1608 1/16W J 47			R 710	GJ200954792499	CHIP RESISTOR	1608 1/16W J 4.	
	R 40	GJ200954732499	CHIP RESISTOR	1608 1/16W J 47			R 711	GJ686062350000	B. WIRE		
	R 41	GJ200954732499	CHIP RESISTOR	1608 1/16W J 47			R 712	GJ250031202199	CARBON RESISTOR	1/4WM J 12	
	R 43	GJ200954732499	CHIP RESISTOR	1608 1/16W J 47			R 713	GJ200952232499	CHIP RESISTOR	1608 1/16W J 22	
	R 44	GJ200954732499	CHIP RESISTOR	1608 1/16W J 47			R 714	GJ250033322199	CARBON RESISTOR	1/4WM J 3.3K	
	R 45	GJ200953312499	CHIP RESISTOR	1608 1/16W J 33			R 716	GJ200951542499	CHIP RESISTOR	1608 1/16W J 15	
	R 46	GJ200953312499	CHIP RESISTOR	1608 1/16W J 33			R 717	GJ20095222499	CHIP RESISTOR	1608 1/16W J 2.	
	R 47	GJ200953312499	CHIP RESISTOR	1608 1/16W J 33			R 718	GJ20095222499	CHIP RESISTOR	1608 1/16W J 2.	
	R 48	GJ200951822499	CHIP RESISTOR	1608 1/16W J 1.			R 719	GJ200951022499	CHIP RESISTOR	1608 1/16W J 1K	
	R 49	GJ200954722499	CHIP RESISTOR	1608 1/16W J 4.			R 720	GJ200950002499	CHIP RESISTOR	1608 1/16W J 0	
	R 50	GJ200954722499	CHIP RESISTOR	1608 1/16W J 4.			R 721	GJ200950002499	CHIP RESISTOR	1608 1/16W J 0	
	R 71	GJ200954722499	CHIP RESISTOR	1608 1/16W J 4.			R 722	GJ200951022499	CHIP RESISTOR	1608 1/16W J 1K	
	R 72	GJ200953322499	CHIP RESISTOR	1608 1/16W J 3.			R 723	GJ200951022499	CHIP RESISTOR	1608 1/16W J 1K	
	R 73	GJ200953322499	CHIP RESISTOR	1608 1/16W J 3.			R 724	GJ200951022499	CHIP RESISTOR	1608 1/16W J 1K	
	R 81	GJ200955622499	CHIP RESISTOR	1608 1/16W J 5.			R 725	GJ200953932499	CHIP RESISTOR	1608 1/16W J 39	
	R 82	GJ200955622499	CHIP RESISTOR	1608 1/16W J 5.			R 726	GJ200950002499	CHIP RESISTOR	1608 1/16W J 0	
	R 83	GJ200954742499	CHIP RESISTOR	1608 1/16W J 47			R 737	GJ200956832499	CHIP RESISTOR	1608 1/16W J 68	
	R 85	GJ200955602499	CHIP RESISTOR	1608 1/16W J 56			R 738	GJ250031242199	CARBON RESISTOR	1/4WM J 120K	
	R 86	GJ200952242499	CHIP RESISTOR	1608 1/16W J 22			R 739	GJ200956832499	CHIP RESISTOR	1608 1/16W J 68	
	R 87	GJ200951042499	CHIP RESISTOR	1608 1/16W J 10			R 740	GJ200953312499	CHIP RESISTOR	1608 1/16W J 33	
	R 88	GJ200951042499	CHIP RESISTOR	1608 1/16W J 10			R 741	GJ200955622499	CHIP RESISTOR	1608 1/16W J 5.	
	R 89	GJ200951042499	CHIP RESISTOR	1608 1/16W J 10			R 742	GJ200952712499	CHIP RESISTOR	1608 1/16W J 27	
	R 90	GJ200951042499	CHIP RESISTOR	1608 1/16W J 10			R 743	GJ200952212499	CHIP RESISTOR	1608 1/16W J 22	
	R 91	GJ200952732499	CHIP RESISTOR	1608 1/16W J 27			R 744	GJ200958222499	CHIP RESISTOR	1608 1/16W J 8.	
	R 92	GJ200952732499	CHIP RESISTOR	1608 1/16W J 27			R 745	GJ200958222499	CHIP RESISTOR	1608 1/16W J 8.	
	R 97	GJ200952202499	CHIP RESISTOR	1608 1/16W J 22			R 746	GJ200958222499	CHIP RESISTOR	1608 1/16W J 8.	
	R 99	GJ200951002499	CHIP RESISTOR	1608 1/16W J 10			R 747	GJ200951002499	CHIP RESISTOR	1608 1/16W J 10	
	R 100	GJ200951012499	CHIP RESISTOR	1608 1/16W J 10			R 748	GJ200956822499	CHIP RESISTOR	1608 1/16W J 6.	
	R 101	GJ200951012499	CHIP RESISTOR	1608 1/16W J 10			R 749	GJ200956822499	CHIP RESISTOR	1608 1/16W J 6.	
	R 102	GJ200951012499	CHIP RESISTOR	1608 1/16W J 10			R 750	GJ200953942499	CHIP RESISTOR	1608 1/16W J 39	
	R 103	GJ200951012499	CHIP RESISTOR	1608 1/16W J 10			R 751	GJ200950002499	CHIP RESISTOR	1608 1/16W J 0	
	R 104	GJ200951222499	CHIP RESISTOR	1608 1/16W J 1.			R 752	GJ200950002499	CHIP RESISTOR	1608 1/16W J 0	
	R 307	GJ250035622199	CARBON RESISTOR	1/4WM J 5.6K			R 753	GJ200950002499	CHIP RESISTOR	1608 1/16W J 0	
	R 308	GJ250038212199	CARBON RESISTOR	1/4WM J 820			R 756	GJ200953922499	CHIP RESISTOR	1608 1/16W J 3.	
	R 309	GJ250035622199	CARBON RESISTOR	1/4WM J 5.6K			R 757	GJ200952722499	CHIP RESISTOR	1608 1/16W J 2.	
	R 316	GJ200951032499	CHIP RESISTOR	1608 1/16W J 10			R 758	GJ200951212499	CHIP RESISTOR	1608 1/16W J 12	
	R 317	GJ200951032499	CHIP RESISTOR	1608 1/16W J 10			R 759	GJ200955632499	CHIP RESISTOR	1608 1/16W J 56	
	R 320	GJ200954722499	CHIP RESISTOR	1608 1/16W J 4.			R 760	GJ200951232499	CHIP RESISTOR	1608 1/16W J 1	
	R 321	GJ200954722499	CHIP RESISTOR	1608 1/16W J 4.			R 761	GJ200953312499	CHIP RESISTOR	1608 1/16W J 33	
	R 322	GJ200952212499	CHIP RESISTOR	1608 1/16W J 22			R 763	GJ200951012499	CHIP RESISTOR	1608 1/16W J 10	
	R 323	GJ200952212499	CHIP RESISTOR	1608 1/16W J 22			R 769	GJ20095222499	CHIP RESISTOR	1608 1/16W J 2.	
	R 324	GJ200956802499	CHIP RESISTOR	1608 1/16W J 68			R 770	GJ200954722499	CHIP RESISTOR	1608 1/16W J 4.	
	R 325	GJ200956802499	CHIP RESISTOR	1608 1/16W J 68			R 771	GJ200952292499	CHIP RESISTOR	1608 1/16W J 2.	

■ Electrical parts list (Main board)

Block No. 01

△	Item	Parts number	Parts name	Remarks	Area	△	Item	Parts number	Parts name	Remarks	Area
	R 772	GJ250033332199	CARBON RESISTOR	1/4WM J 33K			R 867	GJ200951022499	CHIP RESISTOR	1608 1/16W J 1K	
	R 773	GJ200953332499	CHIP RESISTOR	1608 1/16W J 33			R 868	GJ200951022499	CHIP RESISTOR	1608 1/16W J 1K	
	R 774	GJ200956232499	CHIP RESISTOR	1608 1/16W J 62			R 869	GJ200951022499	CHIP RESISTOR	1608 1/16W J 1K	
	R 801	GJ200951032499	CHIP RESISTOR	1608 1/16W J 10			R 870	GJ200954732499	CHIP RESISTOR	1608 1/16W J 47	
	R 802	GJ200951032499	CHIP RESISTOR	1608 1/16W J 10			R 871	GJ200954732499	CHIP RESISTOR	1608 1/16W J 47	
	R 803	GJ200951032499	CHIP RESISTOR	1608 1/16W J 10			R 872	GJ200951002499	CHIP RESISTOR	1608 1/16W J 10	
	R 804	GJ200951032499	CHIP RESISTOR	1608 1/16W J 10			R 873	GJ200951032499	CHIP RESISTOR	1608 1/16W J 10	
	R 805	GJ200951022499	CHIP RESISTOR	1608 1/16W J 1K			R 874	GJ250031032199	CARBON RESISTOR	1/4WM J 10K	
	R 806	GJ200951022499	CHIP RESISTOR	1608 1/16W J 1K			R 875	GJ200951032499	CHIP RESISTOR	1608 1/16W J 10	
	R 807	GJ200951022499	CHIP RESISTOR	1608 1/16W J 1K			R 876	GJ200956812499	CHIP RESISTOR	1608 1/16W J 68	
	R 808	GJ200951022499	CHIP RESISTOR	1608 1/16W J 1K			R 877	GJ200956812499	CHIP RESISTOR	1608 1/16W J 68	
	R 809	GJ200951032499	CHIP RESISTOR	1608 1/16W J 10			R 878	GJ200958212499	CHIP RESISTOR	1608 1/16W J 82	
	R 810	GJ200951032499	CHIP RESISTOR	1608 1/16W J 10			R 879	GJ200951022499	CHIP RESISTOR	1608 1/16W J 1K	
	R 811	GJ200952222499	CHIP RESISTOR	1608 1/16W J 2.			R 880	GJ200951522499	CHIP RESISTOR	1608 1/16W J 1.	
	R 812	GJ200952222499	CHIP RESISTOR	1608 1/16W J 2.			R 881	GJ200952232499	CHIP RESISTOR	RD-T7GN	
	R 813	GJ200952222499	CHIP RESISTOR	1608 1/16W J 2.			R 882	GJ200956812499	CHIP RESISTOR	1608 1/16W J 68	
	R 814	GJ200952222499	CHIP RESISTOR	1608 1/16W J 2.			R 883	GJ200956812499	CHIP RESISTOR	1608 1/16W J 68	
	R 815	GJ250034722199	CARBON RESISTOR	1/4WM J 4.7K			R 884	GJ200958212499	CHIP RESISTOR	1608 1/16W J 82	
	R 816	GJ250034722199	CARBON RESISTOR	1/4WM J 4.7K			R 885	GJ200951022499	CHIP RESISTOR	1608 1/16W J 1K	
	R 817	GJ250034722199	CARBON RESISTOR	1/4WM J 4.7K			R 886	GJ200951522499	CHIP RESISTOR	1608 1/16W J 1.	
	R 818	GJ250034722199	CARBON RESISTOR	1/4WM J 4.7K			R 887	GJ200952222499	CHIP RESISTOR	1608 1/16W J 2.	
	R 820	GJ200954732499	CHIP RESISTOR	1608 1/16W J 47			R 888	GJ200952722499	CHIP RESISTOR	1608 1/16W J 2.	
	R 822	GJ200951022499	CHIP RESISTOR	1608 1/16W J 1K			R 889	GJ200951032499	CHIP RESISTOR	1608 1/16W J 10	
	R 823	GJ200951022499	CHIP RESISTOR	1608 1/16W J 1K			R 890	GJ200952732499	CHIP RESISTOR	1608 1/16W J 27	
	R 824	GJ200951022499	CHIP RESISTOR	1608 1/16W J 1K			R 894	GJ200952222499	CHIP RESISTOR	1608 1/16W J 2.	
	R 825	GJ200954732499	CHIP RESISTOR	1608 1/16W J 47			R 896	GJ200952232499	CHIP RESISTOR	1608 1/16W J 22	
	R 826	GJ200951022499	CHIP RESISTOR	1608 1/16W J 1K			R 897	GJ200951022499	CHIP RESISTOR	1608 1/16W J 1K	
	R 827	GJ200951022499	CHIP RESISTOR	1608 1/16W J 1K			R 902	GJ200951032499	CHIP RESISTOR	1608 1/16W J 10	
	R 828	GJ200951022499	CHIP RESISTOR	1608 1/16W J 1K			R 903	GJ250032292199	CARBON RESISTOR	RD-T7GN	
	R 829	GJ200951022499	CHIP RESISTOR	1608 1/16W J 1K			R 905	GJ250031012199	CHIP RESISTOR	RD-T7GN	
	R 830	GJ200952222499	CHIP RESISTOR	1608 1/16W J 2.			S 801	GJ390110281108	TACT SWITCH	SKQNR	
	R 831	GJ200954732499	CHIP RESISTOR	1608 1/16W J 47			S 802	GJ390110281108	TACT SWITCH	SKQNR	
	R 832	GJ200954722499	CHIP RESISTOR	1608 1/16W J 4.			S 803	GJ390110281108	TACT SWITCH	SKQNR	
	R 833	GJ200954732499	CHIP RESISTOR	1608 1/16W J 47			S 804	GJ390110281108	TACT SWITCH	SKQNR	
	R 834	GJ200951022499	CHIP RESISTOR	1608 1/16W J 1K			S 805	GJ390110281108	TACT SWITCH	SKQNR	
	R 835	GJ200951032499	CHIP RESISTOR	1608 1/16W J 10			S 805	GJ390110281108	TACT SWITCH	SKQNR	
	R 836	GJ200952222499	CHIP RESISTOR	1608 1/16W J 2.			S 806	GJ390110281108	TACT SWITCH	SKQNR	
	R 837	GJ200951022499	CHIP RESISTOR	1608 1/16W J 1K			S 807	GJ390110281108	TACT SWITCH	SKQNR	
	R 838	GJ200951022499	CHIP RESISTOR	1608 1/16W J 1K			S 808	GJ390110281108	TACT SWITCH	SKQNR	
	R 840	GJ200951022499	CHIP RESISTOR	1608 1/16W J 1K			S 809	GJ390110281108	TACT SWITCH	SKQNR	
	R 841	GJ200951032499	CHIP RESISTOR	1608 1/16W J 10			S 810	GJ390110281108	TACT SWITCH	SKQNR	
	R 843	GJ200952222499	CHIP RESISTOR	1608 1/16W J 2.			S 811	GJ390110281108	TACT SWITCH	SKQNR	
	R 844	GJ200951822499	CHIP RESISTOR	1608 1/16W J 1.			S 812	GJ390110281108	TACT SWITCH	SKQNR	
	R 846	GJ200951022499	CHIP RESISTOR	1608 1/16W J 1K			S 813	GJ390110281108	TACT SWITCH	SKQNR	
	R 847	GJ200952222499	CHIP RESISTOR	1608 1/16W J 2.			S 814	GJ390110281108	TACT SWITCH	RD-T7GN	
	R 848	GJ200951032499	CHIP RESISTOR	1608 1/16W J 10			S 815	GJ390110281108	TACT SWITCH	SKQNR	
	R 849	GJ200952222499	CHIP RESISTOR	1608 1/16W J 2.			T 2	GJ321000720109	IFT	PCFAZ-HY-AC009	
	R 850	GJ200951032499	CHIP RESISTOR	1608 1/16W J 10			VR801	GJ299000610008	V.RESISTOR	RE160-40E3-15A-	
	R 851	GJ200954732499	CHIP RESISTOR	1608 1/16W J 47			X 3	GJ361000360013	CRYSTAL	75KHZ 12.5PF +-	
	R 853	GJ200951022499	CHIP RESISTOR	1608 1/16W J 1K			X 701	GJ362000350010	RESONATOR	C08-16M934C052P	
	R 854	GJ200951222499	CHIP RESISTOR	1608 1/16W J 1.			X 801	GJ361000370013	CRYSTAL	D38-32.7680KHZ	
	R 855	GJ200951022499	CHIP RESISTOR	1608 1/16W J 1K			X 802	GJ178159811	CER RESONATOR	CSA8.00 MTZ 200	
	R 856	GJ200951022499	CHIP RESISTOR	1608 1/16W J 1K			ZD302	GJ310030011405	ZENER DIODE	MTZ-J-T-77-5.1B	
	R 857	GJ200951022499	CHIP RESISTOR	1608 1/16W J 1K							
	R 858	GJ200951022499	CHIP RESISTOR	1608 1/16W J 1K							
	R 859	GJ200951022499	CHIP RESISTOR	1608 1/16W J 1K							
	R 860	GJ200954712499	CHIP RESISTOR	1608 1/16W J 47							
	R 861	GJ200952212499	CHIP RESISTOR	1608 1/16W J 22							
	R 862	GJ200951022499	CHIP RESISTOR	1608 1/16W J 1K							
	R 863	GJ200951022499	CHIP RESISTOR	1608 1/16W J 1K							
	R 864	GJ200951022499	CHIP RESISTOR	1608 1/16W J 1K							
	R 865	GJ200951022499	CHIP RESISTOR	1608 1/16W J 1K							
	R 866	GJ200951022499	CHIP RESISTOR	1608 1/16W J 1K							

■ Electrical parts list (AHB board)

Block No. 02

△	Item	Parts number	Parts name	Remarks	Area
	BATTE	GJ351020192612	J.WIRE	190MM	
	C 21	GJ264100332199	C.CAPACITOR	50V CH K 3.3PF	
	C 44	GJ210132702499	CHIP CAPACITOR	1608 50V CH J 2	
	C 111	GJ210131202499	CHIP CAPACITOR	1608 50V CH J 1	
	C 124	GJ283008222415	POLY CAPACITOR	50V AMZ J 0.008	
	C 125	GJ283008222415	POLY CAPACITOR	50V AMZ J 0.008	
	C 401	GJ270192260399	E.CAPACITOR	RD-T7GN	
	C 402	GJ270192260399	E.CAPACITOR	RD-T7GN	
	C 403	GJ270111070399	E.CAPACITOR	RD-T7GN	
	C 404	GJ270111070399	E.CAPACITOR	RD-T7GN	
	C 405	GJ270194750399	E.CAPACITOR	RD-T7GN	
	C 406	GJ270191050399	E.CAPACITOR	RD-T7GN	
	C 407	GJ270191050399	E.CAPACITOR	RD-T7GN	
	C 408	GJ264271032199	C.CAPACITOR	RD-T7GN	
	C 409	GJ283003332415	POLY CAPACITOR	RD-T7GN	
	C 410	GJ283003332415	POLY CAPACITOR	RD-T7GN	
	C 411	GJ283003332415	POLY CAPACITOR	RD-T7GN	
	C 412	GJ283003332415	POLY CAPACITOR	RD-T7GN	
	C 720	GJ270111073999	E.CAPACITOR	10V SR M 100MF	
	C 758	GJ270112270999	E.CAPACITOR	10V SMG M 220MF	
	C 759	GJ270141061599	E.CAPACITOR	25V SA M 10UF	
	CN402	GJ347201080001	CONNECTOR	RD-T7GN	
	CN702	GJ347201100001	CONNECTOR	P=2MM 10PIN CN	
	D 11	GJ310050200203	DIODE	KV1370NT	
	D 12	GJ310050200203	DIODE	KV1370NT	
	D 401	GJ310010220205	DIODE	RD-T7GN	
	D 402	GJ310010220205	DIODE	RD-T7GN	
	IC401	GJ313010023103	IC	RD-T7GN	
	IC704	GJ313080291401	IC	TA8409S	
	L 11	GJ320020620105	COIL		
	L 14	GJ320020610105	COIL		
	LC 2	GJ360010130016	B.P.FILTER		
	Q 401	GJ312030091201	TRANSISTOR	RD-T7GN	
	Q 402	GJ312030091201	TRANSISTOR	RD-T7GN	
	Q 704	GJ302010054203	TRANSISTOR	2SC2412K-T-146-	
	Q 705	GJ302010401203	TRANSISTOR	DTC143TKA-T146	
	Q 706	GJ302010054203	TRANSISTOR	2SC2412K-T-146-	
	Q 808	GJ312020035201	TRANSISTOR	RD-T7GN	
	R 401	GJ250035612199	CARBON RESISTOR	RD-T7GN	
	R 402	GJ200951522499	CHIP RESISTOR	RD-T7GN	
	R 403	GJ200955622499	CHIP RESISTOR	RD-T7GN	
	R 404	GJ200951522499	CHIP RESISTOR	RD-T7GN	
	R 405	GJ200955622499	CHIP RESISTOR	RD-T7GN	
	R 406	GJ200951522499	CHIP RESISTOR	RD-T7GN	
	R 407	GJ200951522499	CHIP RESISTOR	RD-T7GN	
	R 408	GJ250032222199	CHIP RESISTOR	RD-T7GN	
	R 409	GJ200952242499	CHIP RESISTOR	RD-T7GN	
	R 410	GJ200952242499	CHIP RESISTOR	RD-T7GN	
	R 411	GJ250032242199	CARBON RESISTOR	RD-T7GN	
	R 412	GJ200952242499	CHIP RESISTOR	RD-T7GN	
	R 413	GJ250031042199	CHIP RESISTOR	RD-T7GN	
	R 414	GJ250031042199	CHIP RESISTOR	RD-T7GN	
	R 415	GJ250032222199	CHIP RESISTOR	RD-T7GN	
	R 416	GJ250032222199	CHIP RESISTOR	RD-T7GN	
	R 418	GJ200951532499	CHIP RESISTOR	RD-T7GN	
	R 419	GJ200951532499	CHIP RESISTOR	RD-T7GN	
	R 420	GJ200951532499	CHIP RESISTOR	RD-T7GN	
	R 421	GJ200951532499	CHIP RESISTOR	RD-T7GN	
	R 715	GJ200953322499	CHIP RESISTOR	1608 1/16W J 3.	
	R 728	GJ250031032199	CARBON RESISTOR	1/4WM J 10K	
	R 729	GJ200951032499	CHIP RESISTOR	1608 1/16W J 10	
	R 764	GJ250031512199	RESISTOR	1/4WM J 150	
	R 765	GJ200953912499	CHIP RESISTOR	1608 1/16W J 39	

△	Item	Parts number	Parts name	Remarks	Area
	R 766	GJ250033922199	CARBON RESISTOR	1/4WM J 3.9K	
	R 767	GJ200953392499	CHIP RESISTOR	1608 1/16W J 3.	
	R 768	GJ200955622499	CHIP RESISTOR	1608 1/16W J 5.	
	R 819	GJ200954722499	CARBON RESISTOR		UY
	R 819	GJ200956822499	CARBON RESISTOR		UJ,UT,US
	R 839	GJ200952222499	CHIP RESISTOR	RD-T7GN	
	R 852	GJ200951032499	CHIP RESISTOR	RD-T7GN	
	R 891	GJ250031012199	CHIP RESISTOR	RD-T7GN	
	R 892	GJ250031042199	CHIP RESISTOR	RD-T7GN	
	R 893	GJ250038202199	CHIP RESISTOR	RD-T7GN	
	S 701	GJ390070031204	DOUBLE SWING	SWITCH R8130178	
	ZD401	GJ310030014405	ZENER DIODE,	RD-T7GN	

■ Electrical parts list (Power supply board)

Block No. 03

△	Item	Parts number	Parts name	Remarks	Area
	C 922	GJ264182232199	C.CAPACITOR	25V F Z 0.022UF	
	C 923	GJ264182232199	C.CAPACITOR	25V F Z 0.022UF	
	C 924	GJ264182232199	C.CAPACITOR	25V F Z 0.022UF	
	C 926	GJ264182232199	C.CAPACITOR	25V F Z 0.022UF	
	D 304	GJ310010220205	DIODE	1SS133T-77	
△	D 911	GJ310020100116	DIODE	IN5391 1.5A 50V	
△	D 912	GJ310020100116	DIODE	IN5391 1.5A 50V	
△	D 913	GJ310020100116	DIODE	IN5391 1.5A 50V	
△	D 914	GJ310020100116	DIODE	IN5391 1.5A 50V	
△	F 901	GJ369000640009	FUSE	250MA 250V	UJ,US,UT
△	F 902	GJ369000630009	FUSE	1.6A 250V	
	FHOLD	GJ153321741	FUSE HOLDER		
△	J 902	GJ343012501005	AC SOCKET	AC 250V 2.5A H	
	R 945	GJ250033312199	CARBON RESISTOR	1/4WM J 330	
△	S 901	GJ390180091203	SWITCH	VOLTAGE SELECTO	UJ,US,UT
	TAB	GJ727000010000	TAPPING LUG		

■ Electrical parts list (Volume board)

Block No. 04

△	Item	Parts number	Parts name	Remarks	Area
	C 100	GJ270191051599	E.CAPACITOR	50V SA M 1.0MF	
	C 101	GJ270191051599	E.CAPACITOR	50V SA M 1.0MF	
	C 303	GJ270194740399	E.CAPACITOR	RD-T7GN	
	C 304	GJ283001032415	POLY CAPACITOR	RD-T7GN	
	C 306	GJ283001032415	POLY CAPACITOR	RD-T7GN	
	C 307	GJ270194740399	E.CAPACITOR	50V VX M 0.47M	
	C 309	GJ270191060399	E.CAPACITOR	50V VX M 10MF	
	C 320	GJ283004732415	CAP, POLY FILM	50V AMZ J 0.047	
	C 342	GJ270191051599	E.CAPACITOR	50V SA M 1.0MF	
	C 344	GJ270191051599	E.CAPACITOR	50V SA M 1.0MF	
	C 345	GJ270191051599	E.CAPACITOR	50V SA M 1.0MF	
	C 348	GJ270191051599	E.CAPACITOR	50V SA M 1.0MF	
	C 349	GJ270111070399	E.CAPACITOR	0V VX M 100MF	
	C 351	GJ283002722415	POLY CAPACITOR	50V AMZ J 0.002	
	C 352	GJ283004732415	CAP, POLY FILM	50V AMZ J 0.047	
	C 353	GJ283004732415	CAP, POLY FILM	50V AMZ J 0.047	
	C 354	GJ283002722415	POLY CAPACITOR	50V AMZ J 0.002	
	C 355	GJ283004732415	CAP, POLY FILM	50V AMZ J 0.047	
	CN310	GJ347201110001	CONNECTOR	P=2MM 11PIN CN	
	IC301	GJ313071391106	IC	LC75342	
	R 301	GJ200955612499	CHIP RESISTOR	RD-T7GN	
	R 301	GJ20095222499	CHIP RESISTOR	RD-T5BU	
	R 302	GJ200953022499	CHIP RESISTOR	RD-T5BU	
	R 302	GJ200951222499	CHIP RESISTOR	RD-T7GN	
	R 303	GJ200952722499	CHIP RESISTOR	RD-T7GN	
	R 304	GJ200951222499	CHIP RESISTOR	RD-T7GN	
	R 304	GJ200953022499	CHIP RESISTOR	RD-T5BU	
	R 305	GJ200952722499	CHIP RESISTOR	RD-T7GN	
	R 306	GJ20095222499	CHIP RESISTOR	RD-T5BU	
	R 306	GJ200955612499	CHIP RESISTOR	RD-T7GN	
	R 310	GJ200951032499	CHIP RESISTOR	1608 1/16W J 10	
	R 311	GJ200951032499	CHIP RESISTOR	1608 1/16W J 10	
	R 312	GJ200951032499	CHIP RESISTOR	1608 1/16W J 10	
	R 347	GJ200953922499	CHIP RESISTOR	1608 1/16W J 3.	
	R 348	GJ200953922499	CHIP RESISTOR	1608 1/16W J 3.	
	R 349	GJ250031512199	RESISTOR	1/4WM J 150	
	R 350	GJ200953922499	CHIP RESISTOR	1608 1/16W J 3.	
	R 351	GJ200951022499	CHIP RESISTOR	1608 1/16W J 1K	
	R 352	GJ200953922499	CHIP RESISTOR	1608 1/16W J 3.	
	R 353	GJ200951022499	CHIP RESISTOR	1608 1/16W J 1K	

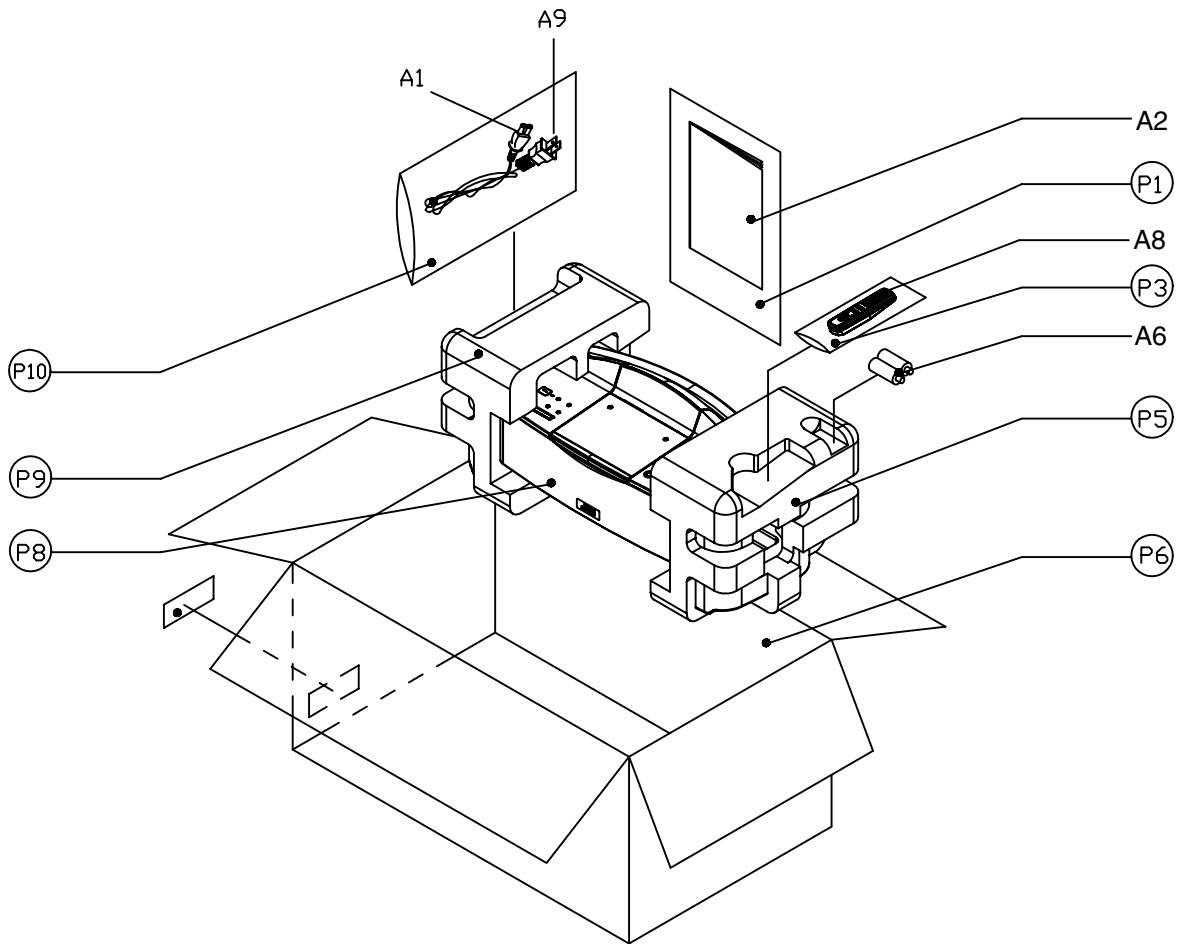
Packing materials and accessories parts list

Block No.

M	3	M	M
---	---	---	---

Block No.

M	5	M	M
---	---	---	---



■ Parts list

Block No. M3MM

△	Item	Parts number	Parts name	Q'ty	Description	Area
	P 1	GJ740253530300	POLYBAG	1	FOR INSTRUCTION	
	P 3	GJ740082550400	POLY BAG	1		
	P 5	GJ560580080101	POLYFOAM (R)	1		
	P 6	GJ560580020201	CARTON	1	RD-T7GN	
		GJ560580050201	CARTON	1	RD-T5BU	
	P 8	GJ740325520300	POLYBAG	1	FOR UNIT	
	P 9	GJ560580070101	POLYFOAM (L)	1		
	P 10	GJ740122550000	POLYBAG	1	FOR POWER CORD	

■ Parts list (Accessories)

Block No. M5MM

△	Item	Parts number	Parts name	Q'ty	Description	Area
△	A 1	GJ350851832114	POWER CORD	1	AC250V 2.5A 1	UY
△		GJ350251832120	POWER CORD	1	AC250V VD	UJ,US
△		GJ350871832120	POWER CORD	1	10A 125V NISP	UT
	A 2	GJ773012590201	INSTRUCTIONS	1	ENG CHI(PEKIN)	UJ,US
		GJ773012610201	INSTRUCTIONS	1	CHI(TAIWAN)	UT
		GJ773012610301	INSTRUCTIONS	1	SPA	UY
	A 6	-----	BATTERY	2	RD-T7GN	
	A 8	GJA1002040001C	REMOCON	1	RD-T7GN	
△	A 9	GJ338030030002	CONCHI PLUG	1		US,UJ